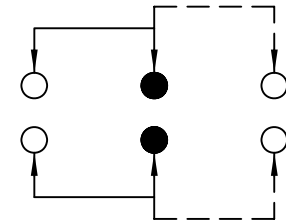
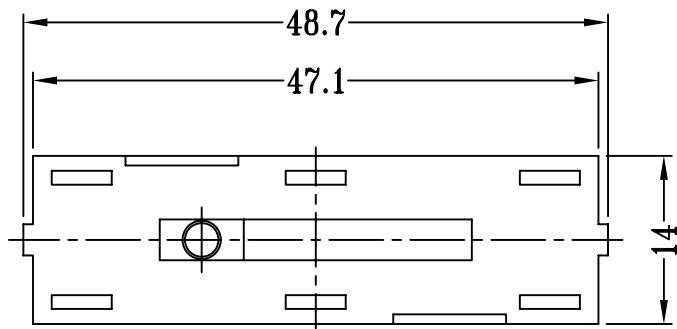
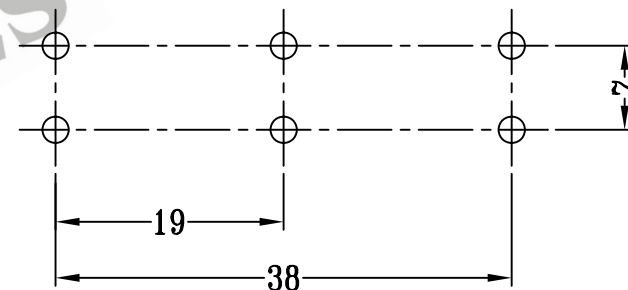
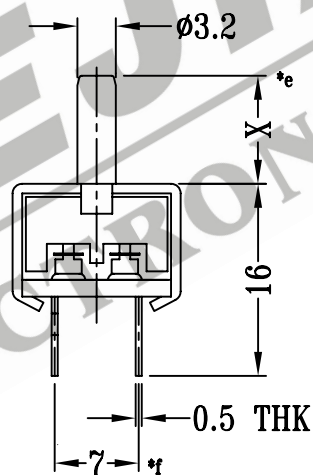
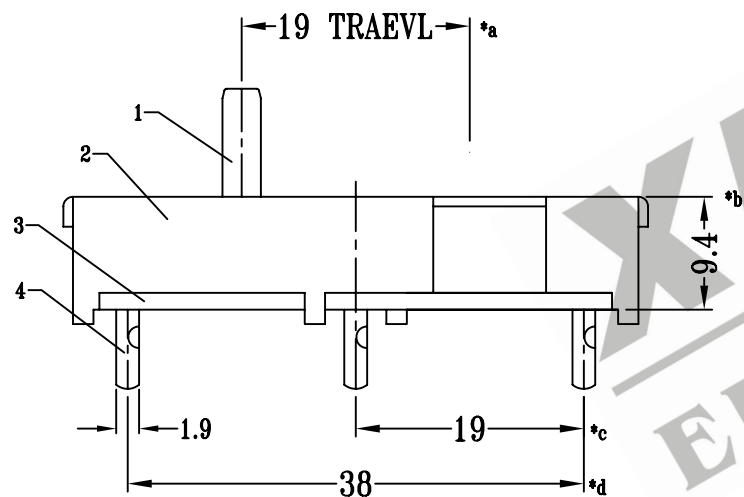


CAD FILE :



SCHEMATIC (NON-SHORTING)



P.C.B LAYOUT

注:带“*”表示关键尺寸(6个)

NO.	PART NAME	MATERIAL	QTY.	FINISHING	TOLERANCE UNLESS SPECIFIED	SHENZHEN XIEJIA ELECTRONICS CO.,LTD.						
8						ISSUE		DATE		DESCRIPTIONS	APPD	
7	CONTACT (CLIP)	BRASS STRIP	2	Ag PLATED	WITHIN: 1.5±0.1mm OVER : 1.5±0.2mm	TITLE: VERTICAL SLIDE SWITCH		UNIT : M M		DRWG NO : XJ-DR-SS22RQ02-00		
6	SCREEN	ALUMINIUM	1	NATURAL		MODEL: SS-22RQ02		SCALE : 3:2		DWN.	ZHOUYU	2002-9-18
5	SPRING PLATE	PBS STRIP	2	NATURAL		ALL MATERIALS MUST BE COMPLIANT TO ROHS				CHK'D	FANGYING	2002-9-18
4	TERMINAL	BRASS STRIP	6	Ag PLATED OVER Ni PLATED						APPD.	KANGXINAN	2002-9-18
3	BASE	PHENOLIC RESIN	1	NATURAL								
2	FRAME	STEEL STRIP	1	Ni PLATED								
1	KNOB	POM	1	BLACK								